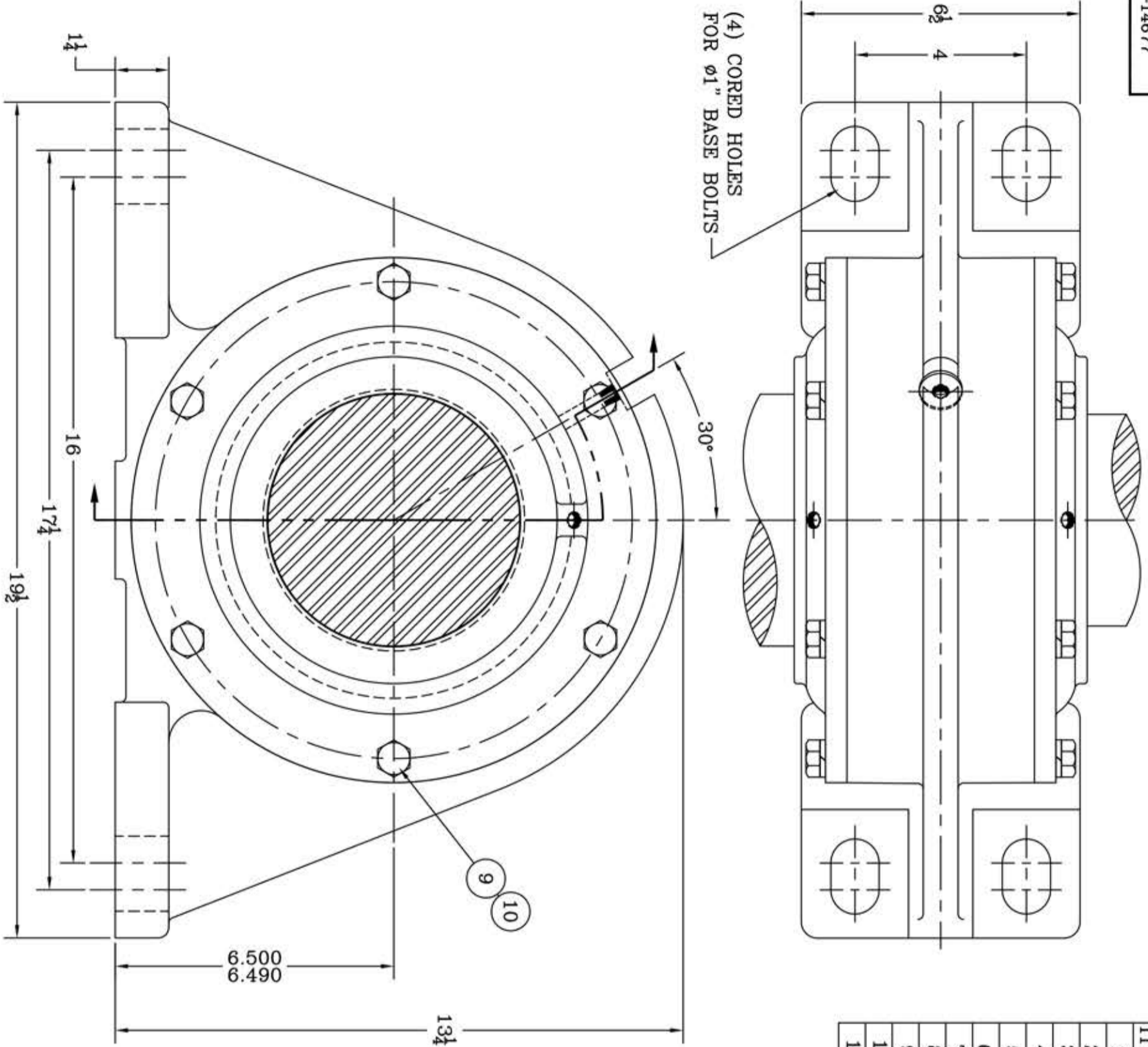
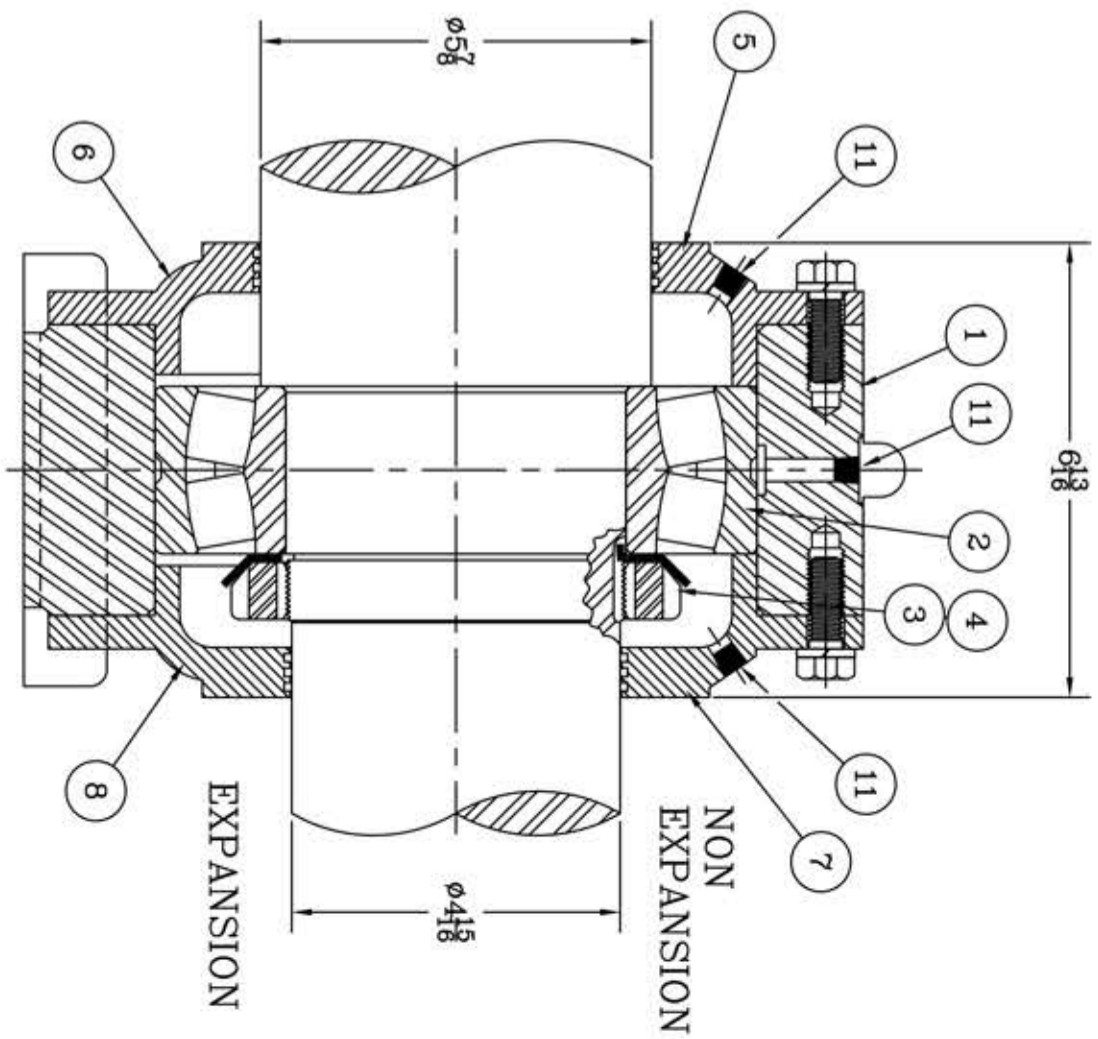


This drawing is the sole property of Miether Bearing Products and contains confidential and proprietary information. It is being provided to you for your use and may not be disclosed to any third party or used for any other purpose without Miether's prior written consent. The [materials] must be returned to the Company upon its demand. Your acceptance of these materials constitutes your acceptance of the foregoing terms.

C-14677



ITEM	DESCRIPTION	DETAIL	PER UNIT
1	HOUSING M-3000	C-22121	1 1
2	SPHERICAL ROLLER BEARING	22226/W-33	1 1
3	LOCKNUT AN-26	B-10417	1 1
4	LOCKWASHER W-26	~~~~~	1 1
5	END CAP F-3046	C-22238	1 0
6	END CAP F-3047	C-22239	0 1
7	END CAP F-3044	C-22236	1 0
8	END CAP F-3045	C-22237	0 1
9	CAP BOLT HEX. HEAD	1/2-13 NC x 1 1/2 LONG	12 12
10	LOCKWASHER	1/2 SPLIT (MED.)	12 12
11	PIPE PLUG	1/2-27 NPPT	3 3



REDRAWN ON COMPUTER per JLL by RWB 5-7-02

REVISIONS

SYMBOL	MICRO-INCH VALUE	DESCRIPTION
✓	16	
∇	32	
∇	63	
∇	125	
∇	250	
∇	500	
∇	1000	

TOLERANCE: UNLESS OTHERWISE SPECIFIED

FRACTIONS ± 1/32° ANGLES ± 0° 30'

DECIMALS ± .005 WELD ± 1/16°

CASTING ± 1/16°

A.I.S.I. STANDARD FINISHES



MMW 22226	05-14 x 04-15
ASSEMBLY DRAWING	
SCALE HALF	ASSEMBLY NO.
DRAWN AW	
DATE 5-21-73	DRAWING NO. C-14677
CHK:	